

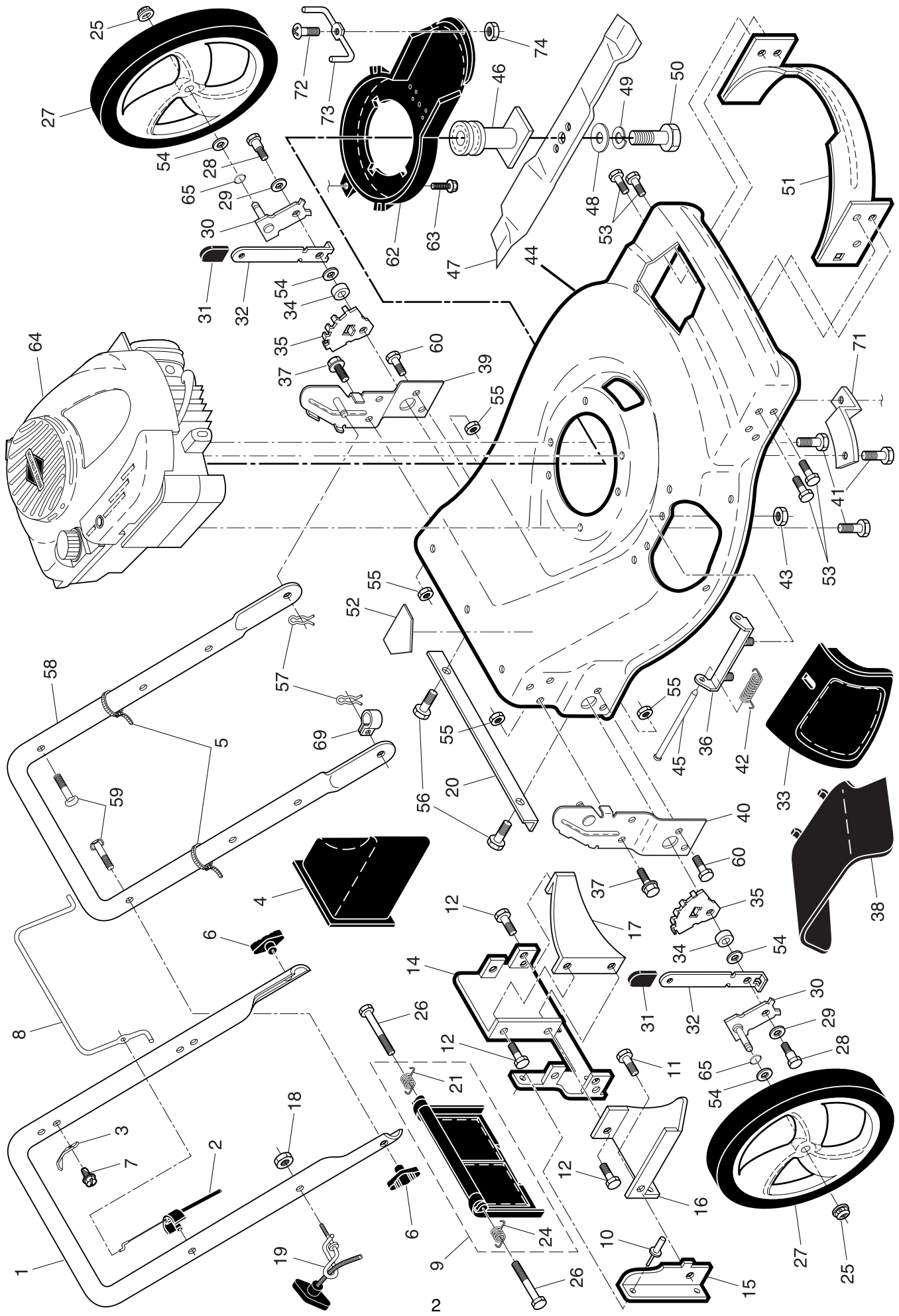
ILLUSTRATED PARTS LIST

MODEL NUMBER PRE6556

PRODUCT NUMBER 961 41 00-94

MFG. ID. NUMBER 96141009400

ROTARY LAWN MOWER - - MODEL NUMBER PRE6556 (96141009400) PRODUCT NUMBER 961 41 00-94



ROTARY LAWN MOWER - - MODEL NUMBER PRE6556 (96141009400) PRODUCT NUMBER 961 41 00-94

KEY NO.	PART NO.	DESCRIPTION	KEY NO.	PART NO.	DESCRIPTION
1	532 40 30-71	Upper Handle	41	532 15 04-06	Screw, Hex Head, Threaded, Rolled 3/8-16 x 1-1/8
2	532 18 35-67	Engine Zone Control Cable	42	532 19 30-00	Spring, Torsion
3	532 12 51-62	Bracket, Upstop	43	873 80 04-00	Nut, Hex, Nylock
4	532 16 66-49	Mulcher Plug	44	532 40 21-62	Kit, Lawn Mower Housing (Includes Key Numbers 14, 15 and 51)
5	532 06 64-26	Wire Tie	45	532 17 56-50	Rod, Hinge
6	532 19 19-38	Handle Knob	46	532 19 40-37	Blade Adapter / Pulley
7	532 75 06-34	Screw	47	532 19 93-79	Blade, 22"
8	532 40 29-32	Control Bar	48	532 85 10-74	Washer, Hardened
9	532 19 36-79	Rear Door Assembly (Includes Springs)	49	532 85 02-63	Washer, Helical
10	532 12 84-15	Pop Rivet	50	532 85 10-84	Screw, Machine, Hex Head 3/8-24 x 1-3/8 Grade 8
11	532 15 00-50	Screw, Self-Tapping #10-24 x 5/8	51	532 17 04-91	Front Baffle
12	532 05 45-83	Screw, Hex Hex Head, Sems 1/4-20 x 1/2	52	532 18 21-66	Danger Decal
14	532 19 84-65	Back Plate	53	817 60 04-06	Screw
15	532 13 88-60	Side Baffle	54	532 08 83-48	Washer
16	532 17 71-33	Discharge Baffle	55	532 75 15-92	Locknut, Hex 3/8-16
17	532 14 89-41	Rear Baffle	56	532 14 66-94	Screw 1/4-20
18	532 13 20-04	Keps Locknut 1/4-20	57	532 05 17-93	Hairpin Cotter
19	532 19 47-88	Rope Guide	58	532 15 50-44	Lower Handle
20	532 14 76-25	Footguard	59	532 19 15-74	Handle Bolt
21	532 17 09-38	Spring, Rear Door, LH	60	874 76 06-12	Bolt
24	532 17 09-39	Spring, Rear Door, RH	61	532 75 15-92	Nut
25	532 14 52-12	Locknut, Hex, Flanged	62	532 19 93-14	Debris Shield
26	532 18 41-93	Bolt, Rear Door	63	532 19 23-25	Screw, Debris Shield
27	532 40 30-72	Wheel, Rear	64	- - -	Engine, Briggs & Stratton, Model Number 124K02 (Order parts from Engine manufacturer)
28	532 14 27-48	Bolt, Shoulder 3/8-16 x 1	65	532 19 74-80	O-Ring
29	532 06 16-51	Washer, Belleville	69	532 19 79-91	Clip, Cable
30	532 19 60-21	Axle Arm Assembly	71	532 19 09-39	Mounting Bracket, Debris Shield
31	532 19 00-69	Selector Knob	72	532 18 22-27	Screw, Machine #8
32	532 19 84-56	Selector Spring	73	532 19 71-62	Belt Keeper
33	532 19 60-53	Mulcher Door	74	532 18 22-28	Nut, Hex #8
34	532 14 66-30	Spacer	- -	532 18 21-91	Warning Decal (not shown)
35	532 15 50-47	Wheel Adjusting Bracket	- -	532 40 21-52	Operator's Manual, European
36	532 17 57-35	Hinge Bracket Assembly	- -	532 40 23-99	Operator's Manual, Scandinavian
37	532 15 00-78	Screw, Sems, Thread Cutting 5/16-18 x 3/4	- -	532 40 21-54	Operator's Manual, East Bloc
38	532 40 30-73	Discharge Deflector	- -	532 40 21-53	Operator's Manual, Baltic
39	532 19 71-50	Handle Bracket Assembly, LH			
40	532 19 71-51	Handle Bracket Assembly, RH			

NOTE: All component dimensions given in U.S. inches. 1 inch = 25.4 mm

IMPORTANT: Use only Original Equipment Manufacturer (O.E.M.) replacement parts. Failure to do so could be hazardous, damage your lawn mower and void your warranty.

ROTARY LAWN MOWER - - MODEL NUMBER PRE6556 (96141009400) PRODUCT NUMBER 961 41 00-94

KEY PART NO.	PART NO.	DESCRIPTION	KEY PART NO.	PART NO.	DESCRIPTION
1	532 19 71-93	Drive Control Assembly (Includes Cable)	38	873 80 04-00	Locknut, Hex 1/4-20
2	532 19 10-39	Bearing, Wheel Adjuster	40	532 19 28-49	Spring
5	532 19 68-57	V-Belt	41	532 19 51-07	Kit, Wheel Adjuster, RH (Includes Knob and Bearing)
6	532 18 16-98	Screw	54	532 40 21-63	Grassbag Assembly
7	532 40 07-23	Bracket, Drive Control	55	532 08 60-12	Driveshaft Cover
9	532 18 49-87	Cap, Drive Control	57	532 18 96-80	Frame, Grassbag
10	532 40 24-31	Decal, Drive Control	61	532 19 68-86	Case, Upper
11	532 40 25-67	Wheel & Tire Assembly	62	532 19 70-57	Shaft, Output
12	812 00 00-58	E-Ring	63	532 18 35-08	Seal, Output Shaft
13	532 75 00-03	Pinion	64	532 18 35-11	Bushing
14	532 18 94-03	Dust Cover	65	532 18 35-09	Washer
15	532 19 10-17	Pawl, Drive	66	532 18 35-14	Seal, Worm Shaft
16	532 06 77-25	Washer, Flat 3/8	67	532 18 35-06	Bearing, Ball
18	532 70 10-37	Selector Knob	68	532 18 34-99	Gear, 27 Teeth
23	532 08 86-52	Screw	69	532 19 68-84	Fixed Dog Clutch
24	532 19 17-30	Nut, Hex, Flanged	70	532 18 35-05	Wireform
25	532 19 73-86	Belt Guide Bracket	71	532 19 68-83	Movable Dog Clutch
26	532 19 23-25	Screw	72	532 19 68-82	Fork
27	532 17 52-62	Pan Head Tapping Screw #10-24 x 2-3/4	73	532 18 35-13	Screw, Case
28	532 19 60-56	Drive Cover	74	532 19 68-81	Case, Lower
29	532 08 39-23	Nut, Hex, Flangelock 3/8-16	75	532 19 68-80	Seal, Lever
32	532 19 40-18	Drive Pulley	76	532 19 68-79	Lever
35	532 19 51-10	Kit, Wheel Adjuster, LH (Includes Knob and Bearing)	77	532 19 68-78	Screw, Lever
36	532 19 16-36	Gear Case Assembly, Complete	78	532 19 68-77	Spring
			79	532 18 35-02	Shaft, Worm

NOTE: All component dimensions given in U.S. inches. 1 inch = 25.4 mm

IMPORTANT: Use only Original Equipment Manufacturer (O.E.M.) replacement parts. Failure to do so could be hazardous, damage your lawn mower and void your warranty.